

# HID 70W 120V BF

SPECIFICATIONS

## Standards

UL and C-UL Listed  
 UL File # E 302477  
 RFI FCC Part 18 Class A  
 Sound rating Class A  
 Rating Outdoor Type 1

## Available Version

901070120HIDBF – Bottom Feed Version

## Electrical

Input voltage 120V +/- 10%  
 Input frequency 50Hz, 60Hz  
 Input current 0.63A, 120V  
 Inrush current <10A  
 THD <10%  
 Power factor >0.99  
 Efficiency >90% at 120V  
 Output power 70W +/- 2%  
 Lamp frequency 200Hz  
 Current lamp crest factor <1.2  
 Ignition Voltage 4KV (max)  
 Lamp ballast distance 30m max

## Short Circuit and Thermal Protection

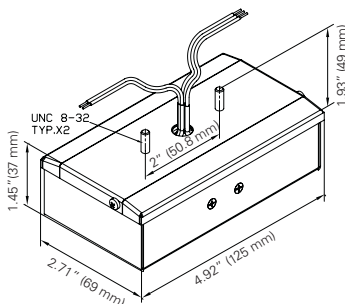
Thermal protection	Auto Reset
Short circuit protection	Auto Reset
Open circuit protection	Auto Reset
End of lamp life protection	Reset
Transient protection	

## Temperature

Operating temperature -25°C...+50°C  
 Max. case temp. 85°C  
 Max. ambient temp. 50°C

## Mechanical

Aluminum case  
 Input wire (white, black) 8", 18AWG  
 UL1015 105°C 600V  
 Ground wire (green) 8", 18AWG  
 UL1015 105°C 600V  
 Output wire (red, purple) 8", 18AWG  
 UL3135 150°C 600V  
 Overall dimensions (in.) 4.92x2.71x1.45  
 (mm) 125X69X37  
 Weight 0.55Kg

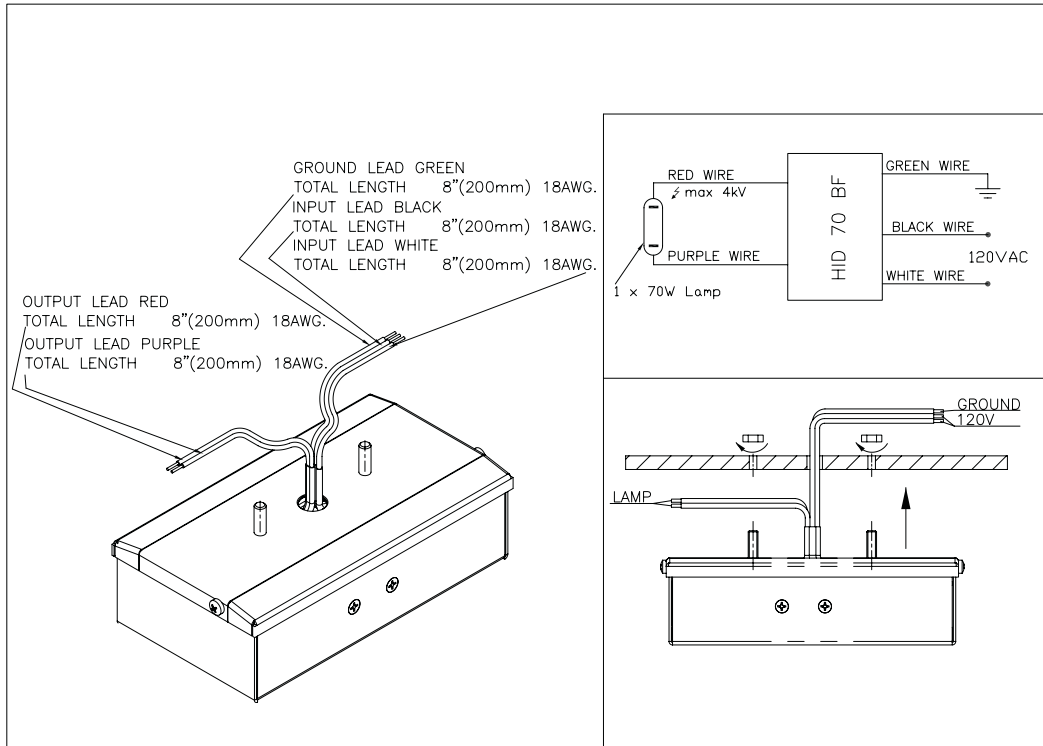


See reverse side for more information →



# HID 70W 120V BF

## Mounting Instructions



## Safety Instructions:

1. Do not connect lamp leads to phase, neutral and ground input wires.
2. Always disconnect power to the entire fixture before installation and/or removal ballast or controls.
3. Ballast green wire must be grounded.
4. Install in accordance with national and local electrical codes.
5. Dispose of any replaced ballasts and lamps properly.
6. Wires: Input and output wires 18 AWG

## Metal Halide Lamps

Suitable for SKU: 901070120HIDBF  
70W lamp, ANSI code M98, M139 or M143

Lamps Manufacturer	Description	Lamp Holder	Nominal Current A
BLV	HIE...70...	Rx7s, E27	1.00
	C-HIT 70 WW	G12 G12	1.00
GE	ARC 70...	Rx7s	1.00
	CMH 70 T...	G12	1.00
	CMH 70 TD...	Rx7s	1.00
	CMH 70 T Mini	G8.5	1.00
	CMH 70 PAR	E27	1.00
Iwasaki	MT 70 Color Arc	E27	1.00
	MHT 70 Color Arc	G12	1.00
Philips	MHN-T 70 W	PG12-2	1.00
	MHN-TD 70 W	Rx7s	1.00
	MHW-TD 70 W	Rx7s	1.00
	CDM-TT 70 W	E27	1.00
	CDM-R 70 W	E27	1.00
	CDM-ET 70 W	E27	1.00
	CDM-T 70W	G12	1.00
	CDM-TD 70 W	Rx7s	1.00
	CDM-TC 70W	G8.5	1.00
	CDM-TP 70W	PG12-2	1.00
	CDO-ET 70 W	E27	1.00
	CDO-TT 70 W	E27	1.00
	CDM-Elite TC 70 W	G8.5	1.00
	CDM- R111	Gx8.5	1.00

Lamps Manufacturer	Description	Lamp Holder	Nominal Current A
Osram	HQI-T 70...	G12	1.00
	HCI-T 70	G12	1.00
	HQI-TS 70...	Rx7s	1.00
	HCI-TS 70	Rx7s	1.00
	HQI-E 70...	E27	1.00
	HCI-T 70 W/WDL	G12	1.00
	HCI-TC 70 W/WDL	G8.5	1.00
	HCI-E/P 70 W/WDL	E27	1.00
Radium	HRI-T 70...	G12	1.00
	RCI-T 70	G12	1.00
	HRI-TS 70...	Rx7s	1.00
	RCI-TS 70	Rx7s	1.00
	HRI-E 70W...	E27	1.00
Sylvania	HSI-MP 70 W	E27	1.00
	HSI-T 70 W	G12	1.00
	HSI- TD 70 W	Rx7s	1.00
	CMI-T 70 W/WDL	G12	0.98
	Britespot AR 111	GX10	1.00
Venture	HIE 70/x/x	E27	1.00